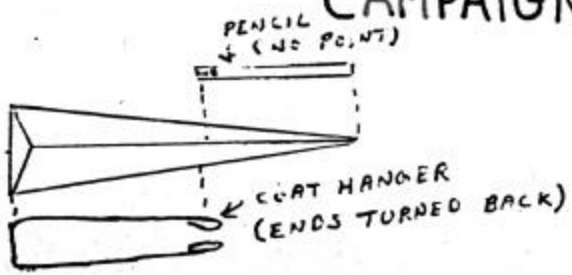


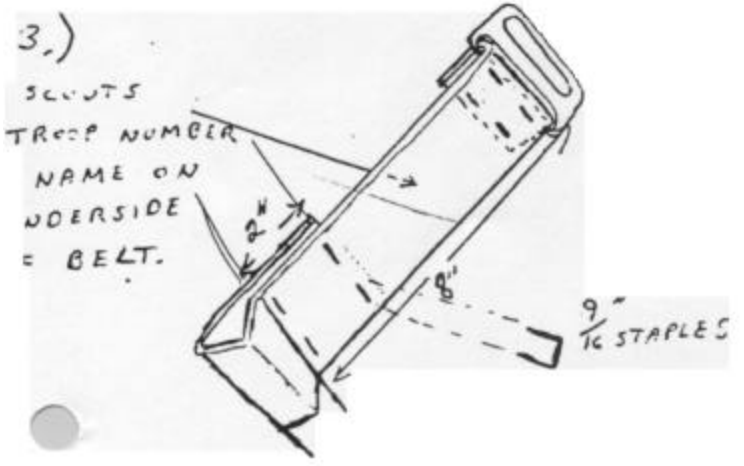
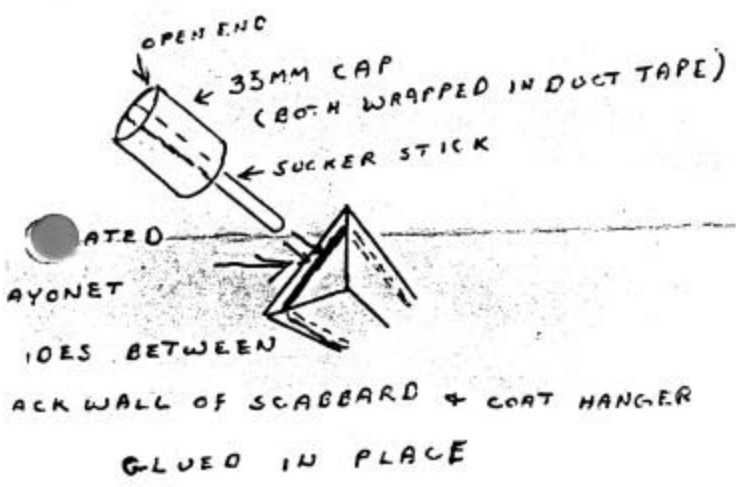
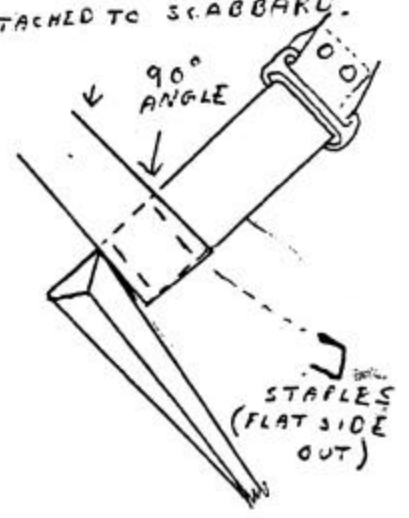
HEADQUARTERS U.S. FORCES



CAMPAIGN OF UPPER CANADA



4.) THIS PIECE OVER PART ATTACHED TO SCABBARD.



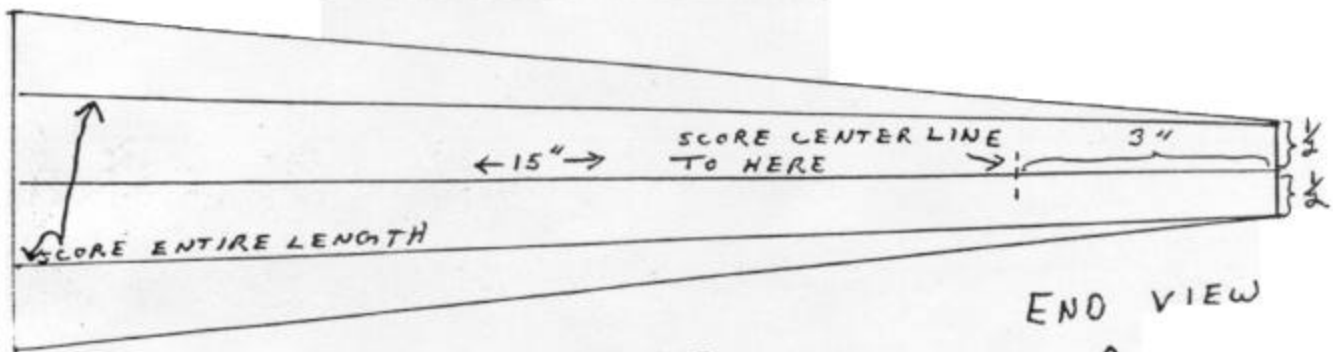
BAYONET / SCABBARD

HEADQUARTERS U.S. FORCES



CAMPAIGN OF UPPER CANADA

BAYONET SCABBARD



END VIEW



1) MAKE PATTERNS OUT OF CARDBOARD.

2) BAYONET SCABBARD HAS TRIANGULAR TOP AND TUBULAR BOTTOM

3) FOLD TAPE TOGETHER

PUT PENCIL BETWEEN TO GIVE BOTTOM PART STABILITY
& TUBULAR SHAPE

4) COVER WITH DUCT TAPE

BEND AT HANGER POINT SIDE TO GIVE RIGIDITY